

Disclaimer

Before using the products, be sure to read and understand all respective instructions.

The products are available for commercial customers only.

For product specification changes since this manual was published, refer to the latest publications of ARRI data sheets or data books, etc., for the most up-to-date specifications. Not all products and/or types are available in every country. Please check with an ARRI sales representative for availability and additional information.

ARRI assumes no responsibility for any errors that may appear in this document. The information is subject to change without notice.

While ARRI endeavors to enhance the quality, reliability and safety of their products, customers agree and acknowledge that the possibility of defects thereof cannot be eliminated entirely. To minimize risk of damage to property or injury (including death) to persons arising from defects in the products, customers must incorporate sufficient safety measures in their work with the system and have to heed the stated canonic use.

ARRI or its subsidiaries expressly exclude any liability, warranty, demand or other obligation for any claim, representation, or cause, or action, or whatsoever, express or implied, whether in contract or tort, including negligence, or incorporated in terms and conditions, whether by statute, law or otherwise. In no event shall ARRI or its subsidiaries be liable for or have a remedy for recovery of any special, direct, indirect, incidental, or consequential damages, including, but not limited to lost profits, lost savings, lost revenues or economic loss of any kind or for any claim by third party, downtime, good will, damage to or replacement of equipment or property, any cost or recovering of any material or goods associated with the assembly or use of our products, or any other damages or injury of the persons and so on or under any other legal theory.

Neither ARRI nor its subsidiaries assume any liability for infringement of patents, copyrights or other intellectual property rights of third parties by or arising from the use of ARRI products or any other liability arising from the use of such products. No license, express, implied or otherwise, is granted under any patents, copyrights or other intellectual property right of ARRI or others.

ARRI or its subsidiaries do not assume any responsibility for incurred losses due to improper handling or configuration of the camera or other system components, due to sensor contamination, occurrence of dead or defective pixels, defective signal connections or incompatibilities with third party recording devices.

In the case one or all of the foregoing clauses are not allowed by applicable law, the fullest extent permissible clauses by applicable law are validated.

Imprint

© 2024 Arnold & Richter Cine Technik GmbH & Co. Betriebs KG. All rights reserved.

The system contains proprietary information of Arnold & Richter Cine Technik GmbH & Co. Betriebs KG. It is provided under a license agreement containing restrictions on use and disclosure and protected by copyright law. Reverse engineering of the software is prohibited.

No part of this publication may be reproduced, stored in a retrieval system, or transmitted in any form or by any means, electronic, mechanical, photocopying, recording or otherwise without the prior written permission of Arnold & Richter Cine Technik GmbH & Co. Betriebs KG.

Due to continued product development the information in this document may change without notice. The information and intellectual property contained herein is confidential between ARRI and the client and remains the exclusive property of ARRI. If you find any problems in the documentation, please report them to us in writing. ARRI does not warrant that this document is flawless.

ARRI, ALEXA 35 and ARRIRAW are trademarks or registered trademarks of Arnold & Richter Cine Technik GmbH & Co. Betriebs KG. All other brands or products mentioned are trademarks or registered trademarks of their respective holders and should be treated as such.



Apple ProRes 422 HQ, Apple ProRes 4444, Apple ProRes 4444 XQ, and the ProRes logo are trademarks or registered trademarks of Apple Computer, Inc., used under license therefrom.

Original version.

For Further Assistance

Arnold & Richter Cine Technik GmbH & Co. Betriebs KG
Herbert-Bayer-Str. 10
80807 Munich
Germany

service@arri.com

www.arri.com/en/technical-service

Content

1	About this Document.....	5
2	About this Product.....	6
2.1	Introduction to the ALEXA 35.....	6
2.2	Intended Use.....	6
2.3	Identification.....	6
2.4	Environmental Conditions.....	7
2.5	Technical Data.....	7
2.6	Dimensional Drawings.....	10
2.7	Scope of Delivery and Warranty.....	11
2.8	Certifications and Safety Standards.....	12
3	Safety Instructions.....	16
3.1	Safety Conventions and Product Labels.....	16
3.2	General Safety Instructions.....	17
4	Camera Overview.....	21
4.1	Camera Layout.....	21
4.2	Multi Viewfinder MVF-2 Layout.....	24
5	Mounting and Assembly.....	25
5.1	Attachment of Accessories.....	25
5.2	Power Supply.....	26
5.3	Viewfinder Connection.....	28
6	Basic Operation.....	29
6.1	Switching On and Off.....	29
6.2	Menu Operation.....	29
7	Cleaning and Repair.....	30
7.1	Cleaning Instructions.....	30
7.2	Repair.....	31
8	Transportation & Storage.....	32
9	Disposal.....	33
10	ARRI Service Contacts.....	34

1 About this Document

This operating manual is aimed at everyone involved in using the system and provides directions on how to operate it safely and as intended. To ensure safe and correct use, all users must read the operating manual before using the system for the first time.

This operating manual is an essential part of this product and must be easily accessible and in close proximity to the equipment so that users can use it as a reference anytime.

The separate ALEXA 35 User Manual contains more detailed information about the features and functionalities of the camera. Please visit the website www.arri.com to download the ALEXA 35 User Manual and much more information.

Keep the operating manual, the user manual and all other operating and assembly instructions belonging to the system in a safe place for future reference and possible subsequent owners.

Document Revision History

Document ID: D45 10006703

Version	Release	Date	Description
1.0	K10948	2022-07-04	Initial Release
1.01	K11158	2022-12-22	Certification updated
1.02	K11206	2023-02-27	Service contacts updated
1.1	K11240	2023-04-17	Release for SUP 1.1
1.11	K11320	2023-08-18	Certification updated
1.12	K11390	2024-01-30	Input voltage adapted to type plate

2 About this Product

2.1 Introduction to the ALEXA 35

For over a decade the combination of the ALEV 3 sensor and ARRI Color Science have set the gold standard for digital image quality in the professional motion picture industry with ALEXA and AMIRA cameras.

Now, with the introduction of the ALEXA 35 camera, ARRI raises the bar even higher with the new Super 35 format 4.6K 3:2 ALEV 4 sensor and new REVEAL Color Science. ALEXA 35 provides significantly more exposure latitude, improved color reproduction, better look handling and increased creative control for the cinematographer, while fulfilling the 4K mandate for all Super 35 and LF lenses, spherical and anamorphic. With its familiar controls and a new line of custom crafted accessories, ALEXA 35 is the most versatile Super 35 motion picture camera available.

2.2 Intended Use

ATTENTION
All versions of the product are intended exclusively for professional use and may only be used by skilled personnel. Every user should read and understand the operating instructions and the user manual. Use the product only for the purpose described in this document. Always follow the instructions and system requirements for all equipment involved.

The ARRI ALEXA 35 is a 35mm digital camera to be used solely and exclusively for recording images at various resolutions suitable for a variety of distribution formats:

- Open Gate 4.6K, 16:9 4.6K, 4K, UHD, 2K and HD recording resolutions
- ARRIRAW and Apple ProRes codecs
- LogC4 or ARRIRAW encoding
- Codex Compact Drive recording
- Up to 120 fps

Only use the ALEXA 35 as described in the operation manual and user manual. Any other use is considered improper and can result in personal injury and/or property damage. ARRI assumes no liability for damages or changes that are caused by improper use.

The entire product may not be changed or converted.

2.3 Identification

Product Label

The camera serial number is located on the product label on the left side of the camera next to the media bay door.



The serial number consists of the last 5 digits of the product number K1.0039373-XXXXX. (here: 50103)

2.4 Environmental Conditions

The ALEXA 35 should only be used and stored under certain environmental conditions. Check the following conditions before commissioning and operation:

Electrical Requirements	Input voltage: 20.5 V - 33.6 V DC
Operating Temperature	-20° C to +45° C / -4° F to +113° F
Storage Temperature	-30° C to +70° C / -22° F to +158° F
Humidity	0-95% RH from -20° C to +45° C / -4° F to +113° F

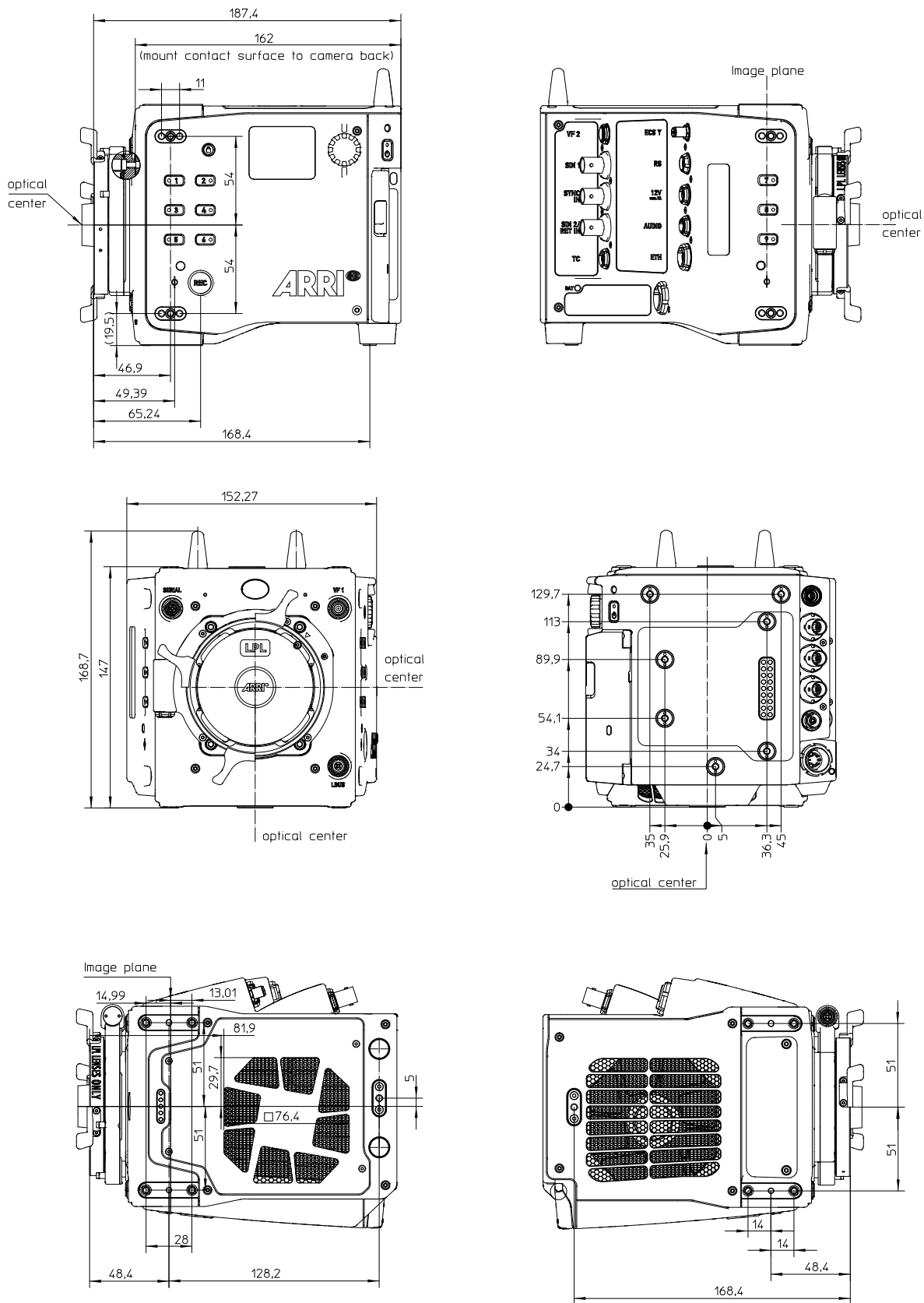
2.5 Technical Data

Sensor Type	Super 35 format ARRI ALEV 4 CMOS sensor with Bayer pattern color filter array				
Sensor Photosites and Size	4608 x 3164 27.99 x 19.22 mm / 1.102x 0.757" Ø33.96 mm / 1.337"				
Sensor Frame Rates	0.75 - 120 fps				
Project Frame Rates	23.976, 24, 25, 29.97, 30, 47.952, 48, 50, 59.94, 60 fps				
Weight	2.9 kg / 6.4 lbs (camera body with three antennas and LPL Mount (LBUS))				
Photosite Pitch	6.075 µm				
Sensor Modes	Active Image Area (Dimensions)	Image Circle Ø	Active Image Area (Photosites)	Recording Resolution (Pixel)	Max. fps (1TB / 2TB Drive)
4.6K 3:2 Open Gate	28.0 x 19.2 mm 1.102 x 0.756"	33.96 mm 1.337"	4608 x 3164	4.6K (4608 x 3164)	35 / 75 fps (ARRIRAW) 60 / 60 fps (ProRes)
4.6K 16:9	28.0 x 15.7 mm 1.102 x 0.618"	32.10 mm 1.264"	4608 x 2592	4.6K (4608 x 2592)	45 / 75 fps (ARRIRAW)
				4K (4096 x 2304)	75 / 75 fps (ProRes)
4K 16:9	24.9 x 14.0 mm 0.980 x 0.551"	28.57 mm 1.125"	4096 x 2304	4K (4096 x 2304)	55 / 120 fps (ARRIRAW) 100 / 100 fps (ProRes)
				UHD (3840 x 2160)	120 / 120 fps (ProRes)
				2K (2048 x 1152)	120 / 120 fps (ProRes)
				HD (1920 x 1080)	120 / 120 fps (ProRes)
4K 2:1	24.9 x 12.4 mm 0.980 x 0.490"	27.82 mm 1.095"	4096 x 2048	4K (4096 x 2048)	65 / 120 fps (ARRIRAW) 120 / 120 fps (ProRes)
3.8K 16:9	23.3 x 13.1 mm 0.918 x 0.516"	26.8 mm 1.054"	3840 x 2160	UHD (3840 x 2160)	65 / 120 fps (ARRIRAW)
3.3K 6:5	20.22 x 16.95 mm 0.796 x 0.693"	26.38 mm 1.039"	3328 x 2790	3.3K (3328 x 2790)	55 / 100 fps (ARRIRAW) 75 / 75 fps (ProRes)
				4K 2.39:1 Ana. 2x (4096 x 1716)	90 / 90 fps (ProRes)
3K 1:1	18.7 x 18.7 mm 0.737 x 0.737"	26.45 mm 1.041"	3072 x 3072	3K (3072 x 3072)	55 / 100 fps (ARRIRAW) 90 / 90 fps (ProRes)
				3.8K 2:1 Ana. 2x (3840 x 1920)	100 / 100 fps (ProRes)
2.7K 8:9	16.7 x 18.7 mm 0.656 x 0.738"	25.09 mm 0.988"	2743 x 3086	UHD 16:9 Ana. 2x (3840 x 2160)	100 / 100 fps (ProRes)
2K 16:9 S16	12.4 x 7.0 mm 0.490 x 0.276"	14.24 mm 0.561"	2048 x 1152	2K (2048 x 1152)	120 / 120 fps (ProRes)
Exposure Index	Adjustable from EI 160 - 6400 in 1/3 stops				

Dynamic Range	17 stops
Shutter	Electronic shutter, 5.0°- 356° or 1s - 1/8000s
Recording Codecs	MXF/ARRIRAW MXF/Apple ProRes 4444 XQ MXF/Apple ProRes 4444 MXF/Apple ProRes 422 HQ
Recording Media	Codex Compact Drive 1TB (CA08-1024), Codex Compact Drive 2TB (CB16-2048)
Recording Modes	Standard real-time recording, Pre-recording
Viewfinder Type	Multi Viewfinder MVF-2 with OLED viewfinder display (1920 x 1080) and 4" LCD flip-out monitor (800 x 480)
Viewfinder Diopter	Adjustable from -5 to +5 diopters
Color Output	Rec 709, Rec 2020, Rec 2100 PQ, Rec 2100 HLG, LogC4
Look Control	ARRI Textures Custom color look (through ARRI Look File ALF4 or ARRI Look Library)
White Balance	Manual and auto white balance, adjustable from 2000K to 11000K Color correction adjustable from -16 to +16 CC (1 CC corresponds to 035 Kodak CC values or 1/8 Rosco values)
Filters	Four position built-in motorized ND filter: Clear, 0.6, 1.2, 1.8 Fixed optical low pass, UV, IR filter
Lens Squeeze Factors	1.00, 1.25, 1.30, 1.33, 1.50, 1.65, 1.80, 1.85, 2.00
Exposure and Focus Tools	False Color, Zoom, Aperture and Color Peaking
Audio Recording	4 channel linear PCM (24 bit, 48 kHz)
Image Outputs	2x VF custom CoaXPress connectors for MVF-2 viewfinder 2x 12G SDI (BNC) 422 1.5G HD, 422 3G HD, 444 3G HD, 422 6G UHD, 422 12G UHD, 444 12G UHD
Interfaces	1x LBUS (LEMO 4-pin) for lens motors, daisy chainable 1x SERIAL (LEMO 4-pin) for distance measuring accessories 1x TC (LEMO 5-pin) for timecode In/Out 1x ETH (LEMO 10-pin) for remote control and service 1x SYNC IN (BNC) for Genlock synchronization 1x RET IN (BNC, switchable on SDI 2) 1x USB-C for user setups, look files etc 1x Rear Interface (18-pin Pogo) 1x Top Interface (5-pin Pogo)
Audio Inputs	1x AUDIO (LEMO 6-pin) for balanced stereo line in (line input max. level +24 dBu correlating to 0 dBFS) Two built-in microphones for scratch audio With Audio Extension Module AEM-1: additional 3x TA3 connectors (MIC/Line, +48 V, AES)
Audio Outputs	1x 3.5 mm stereo headphone connector (on MVF-2) 2x SDI (embedded audio)
Power Inputs	1x PWR (LEMO 8-pin) 1x BAT (camera rear interface / battery adapter) 20.5 V - 33.6 V DC
Power Outputs	1x RS (Fischer 3-pin) for 24 V accessory power out, start/stop and shutter pulse 1x 12 V (LEMO 2-pin) for 12 V accessory power out 1x LBUS (LEMO 4-pin) for lens motors & 24 V power out, daisy-chainable 1x AUDIO (LEMO 6-pin) for balanced stereo line in and 12 V accessory power out 1x ETH (LEMO 10-pin) for remote control, service and 24 V accessory power out With Power Distribution Module PDM-1: additionally 4x 24 V, 2x 12 V and 1x D-Tap

Remote Control Options	<p>Camera Companion App</p> <p>ARRI Electronic Control System (ECS)</p> <p>Web-based remote control from phones, tablets and laptops via WiFi & Ethernet</p> <p>Camera Access Protocol (CAP) via WiFi & Ethernet</p> <p>GPIO interface for integration with custom control interfaces</p>
Wireless Interfaces	<p>Built-in WiFi module (IEEE 802.11b/g)</p> <p>Built-in White Radio for ARRI ECS lens and camera remote control</p>
Lens Mounts & Adapters	<p>ARRI LPL Mount (LBUS)</p> <p>ARRI PL-to-LPL Adapter</p> <p>ARRI PL Mount (LBUS)</p> <p>ARRI PL Mount (Hirose)</p> <p>ARRI EF Mount (LBUS)</p> <p>Leitz M Mount for ARRI</p>
Flange Focal Depth	LPL Mount: 44 mm , PL mount: 52 mm
Power Consumption	~ 90 W (Camera body and MVF-2 typical, max. 310 W with all accessories)
Measurements (HxWxL)	147 x 152.5 x 203 mm / 5.8 x 6.0 x 8.0" (camera body with LPL lens mount)
Operating Temperature	-20° C to +45° C / -4° F to +113° F @ 0-95% RH
Storage Temperature	-30° C to +70° C / -22° F to +158° F
IP Rating	IP 51
Sound Level	< 20 dB(A) at 30fps, recording 4K 16:9 - UHD, Apple ProRes 4444 XQ, ≤ +30° C ambient temperature
Licenses	ALEXA 35 Cine License

2.6 Dimensional Drawings



Camera body with LPL lens mount. All dimensions in mm.

2.7 Scope of Delivery and Warranty

ATTENTION

The packaging consists of recyclable materials. For the sake of the environment, dispose the packaging material at a suitable disposal site.

Always store, ship and dispose according to local regulations. ARRI is not liable for consequences from inadequate storage, shipment or disposal.

On delivery, please check if package and content are intact. Never accept a damaged/incomplete delivery.

K0.0041724 ALEXA 35 Body & LPL Lens Mount Set

A complete delivery includes:

- 1x K1.0039373 ALEXA 35 camera body
- 1x Camera Front Cover
- 1x USB-C memory stick
- 1x White Radio Antenna
- 2x WiFi Antennas
- 1x Tool Set
- 1x K2.0018983 LPL Mount (LBUS)
- 1x K2.0016936 PL-to-LPL Adapter
- 1x K2.0023751 B-Mount Battery Adapter
- 1x K2.0034180 Balance Utility Dovetail BUD-1

K0.0042900 ALEXA 35 Body & PL Lens Mount Set

A complete delivery includes:

- 1x K1.0039373 ALEXA 35 camera body
- 1x Camera Front Cover
- 1x USB-C memory stick
- 1x White Radio Antenna
- 2x WiFi Antennas
- 1x Tool Set
- 1x K2.0042651 PL Mount (LBUS)
- 1x K2.0023751 B-Mount Battery Adapter
- 1x K2.0034180 Balance Utility Dovetail BUD-1

Warranty

For scope of warranty, please ask your local ARRI service partner. ARRI is not liable for consequences from inadequate shipment, improper use or use of third-party products.

2.8 Certifications and Safety Standards

Approval Information

The ARRI ALEXA 35 is approved for use in Europe (CE), USA (FCC), Uk (UCKA), Kanada (ICES), China (CMIIT), Japan (MIC), Australien (SDoC), Korea (ICC), Thailand (SDoC) and where one of those declarations are accepted.

The import and use in other countries may be subject to legal, official or regulatory requirements and regulations. It is the importer's or the user's responsibility, prior to importation or use, to inform themselves of the applicable legal, regulatory and administrative requirements and regulations and to ensure compliance with these requirements and regulations. This includes the applying for and obtaining of all necessary approvals or registrations.

As far as reasonable and legally possible, ARRI will support requests in relation to such applications by providing technical documents or declarations. As an importer or user, you confirm that you are familiar and comply with the legal, regulatory, and administrative requirements and regulations that apply in the countries to which you ship or use the products. You further confirm that you will arrange for any necessary registrations, enrollments, or authorizations that are required in such countries.

You release ARRI from all obligations resulting from any legislative, regulatory, or administrative requirements regarding import or use of the products, except in countries where ARRI has obtained a registration or certification. You agree to indemnify, defend, and hold ARRI harmless from any and all claims, damages, losses, liabilities, costs, and expenses (including reasonable fees of attorneys and other professionals) that may arise out of a demand on ARRI in connection with your obligations mentioned above.

EU Declaration of Conformity



Brand Name: ARRI

Product Description: Digital Camera System **ARRI ALEXA 35** (Europe Setting)

The designated products conform to the specifications of the following European directives:

- Directive 2014/53/EU of the European Parliament and the Council of 16 April 2014 on the harmonization of the laws of the Member States relating to the making available on the market of radio equipment - OJ L 153, 22 May 2014, p. 62–106.
- Directive 2011/65/EU of the European Parliament and the Council of 8 June 2011 on the restriction of the use of certain hazardous substances in electrical and electronic equipment - OJ L 174, 1 July 2011, p. 88–110.

The compliance with the requirements of the European Directives was proved by the application of the following standards:

- EN 62368-1: 2020 + A11: 2020
- EN 62311: 2008
- EN 55032: 2015; EN 61000-3-2: 2014; EN 61000-3-3: 2013; EN 55035: 2017
- ETSI EN 301 489-1 V2.2.3 (additionally covered version V1.9.2);
ETSI EN 301 489-17 V3.2.4; EN 300 328 V2.1.1

The object of the declaration described above complies with the provisions of Directive 2011/65/EU of the European Parliament and the Council of June 8, 2011 on the restriction of the use of certain hazardous substances in electrical and electronic equipment and the Commission Delegated Directive (EU) 2015/863 of March 31, 2015.

The manufacturer bears sole responsibility for issuing this declaration of conformity.

Appendix I to EU Declaration of Conformity dated from 2021/10/25

This appendix refers to the following products: **ARRI ALEXA 35**

and lists all types of antennas applicable for this device.

Item	Manufacturer	Model Name	Gain (dBi)	Radiation Pattern	Type	Connector
For ECS White Radio RF Module EMIP400s:						
1	Proant	333 (Ex-it 2400 Foldable)	2.0	Omni-directional	Dipole	Reverse SMA
For WiFi 2.4 GHz RF Module ST60-2230:						
2	Radiall	R380.500.150	0.0	Omni-directional	Monopole	Reverse SMA

UK Declaration of Conformity



Brand Name: ARRI
 Product Description: Digital Camera System **ARRI ALEXA 35**

The designated products conform to the specifications of the following United Kingdom regulations:

- The Electromagnetic Compatibility Regulations 2016 (SI 2016 No. 1091 as amended by SI 2019 No. 696)
- The Electrical Equipment (Safety) Regulations 2016 (SI 2017 No. 1206 as amended by SI 2019 No. 696)
- The Restriction of the Use of Certain Hazardous Substances in Electrical and Electronic Equipment Regulations 2012 (SI 2012 No. 3032 as amended by SI 2020 No. 1647 SI 2021 No. 422 and SI 2019 No. 492)

The compliance with the requirements of the United Kingdom regulations was proved by the application of the following standards:

- EN 55032:2015 + A11:2020; EN 55035:2017 + A11:2020
- IEC 62368-1:2018
- EN IEC 63000:2018

The manufacturer bears sole responsibility for issuing this declaration of conformity.

FCC Compliance Statement

Class B Statement: This equipment has been tested and found to comply with the limits for a Class B digital device, pursuant to part 15 of the FCC Rules. These limits are designed to provide reasonable protection against harmful interference in a residential installation. This equipment generates, uses and can radiate radio frequency energy and, if not installed and used in accordance with the instructions, may cause harmful interference to radio communications. However, there is no guarantee that interference will not occur in a particular installation. If this equipment does cause harmful interference to radio or television reception, which can be determined by turning the equipment off and on, the user is encouraged to try to correct the interference by one or more of the following measures:

- ▶ Reorient or relocate the receiving antenna
- ▶ Increase the separation between the equipment and receiver
- ▶ Connect the equipment into an outlet on a circuit different from that to which the receiver is connected
- ▶ Consult the dealer or an experienced radio/TV technician for help



WiFi Module FCC ID: SQG-60SIPT
 ECS Transceiver FCC ID: Y7N-EMIP400
 Module

Industry Canada Compliance Statement

Complies with the Canadian ICES-003 Class B specifications.

This device contains licence exempt transmitter(s)/receiver(s) that comply with Innovation, Science and Economic Development Canada’s licence exempt RSS(s). Operation is subject to the following two conditions: This device may not cause interference. This device must accept any interference, including interference that may cause undesired operation of the device.

WiFi Module IC ID: 3147A-602230C
 ECS Transceiver Module IC ID: 9482A-EMIP400

China

ALEXA 35 CMIIT ID: 2021AP13709

Japan



WiFi Module 003-170091
 ECS Transceiver Module 020-180030

Taiwan

設備名稱：ALEXA 35 攝影機 型號 (型式) ALEXA						
單元	限用物質及其化學符號					
	鉛 (Pb)	汞 (Hg)	鎘 (Cd)	六價鉻 (Cr6)	多溴聯苯 (PBB)	多溴二苯醚 (PBDE)
圖像傳感器組件	0	0	0	0	0	0
塑膠外殼	0	0	0	0	0	0
連接器	0	0	0	0	0	0
面板	0	0	0	0	0	0

備考1. “超出0.1 wt %”及“超出0.01 wt %”係指限用物質之百分比含量超出百分比含量基準值。
 備考2. “0”係指該項限用物質之百分比含量未超出百分比含量基準值
 備考3. “-”係指該項限用物質為排除項目。

Australia & New Zealand



ALEXA 35

South Korea



ALEXA 35

Certification no:
R-R-ARg-ALEXA35

Singapore

WiFi Module	N2162-22
ECS Transceiver Module	N2161-22

Philippines



ALEXA 35	ESD-RCE-2229917
----------	-----------------

Thailand

Supplier Declaration of Conformity S00783-22

United Arab Emirates

ALEXA 35	ER10429/22
----------	------------

Egypt



ALEXA 35	TAC.14022226931.WIR
----------	---------------------

South Africa



ALEXA 35	TA-2022/0070
----------	--------------

Mexico



ALEXA 35	NYC-2202CT2060
----------	----------------

3 Safety Instructions

This safety information is in addition to the product specific operating instructions in general and must be strictly observed for safety reasons. Read and understand all safety and operating instructions before you operate or install the system. Retain all safety and operating instructions for future reference. Always follow the instructions in this and all documents supplied with the device to avoid injury to yourself or others and damage to the system or other objects.

Assembly and operation should only be carried out by trained staff familiar with the system. Only use the tools, materials and procedures recommended in this document. For the correct use of other equipment, see the manufacturer's instructions.

3.1 Safety Conventions and Product Labels

Structure of Safety and Warning Messages

These instructions use safety instructions, warning symbols and signal words to draw your attention to different levels of risk:

⚠ WARNING
<p>WARNING indicates a potentially hazardous situation which, if not avoided, may result in death or serious injury.</p> <ul style="list-style-type: none">▶ Always follow the recommended measures to avoid this hazardous situation.

⚠ CAUTION
<p>CAUTION indicates a potentially hazardous situation which, if not avoided, may result in minor or moderate injury.</p> <ul style="list-style-type: none">▶ Always follow the recommended measures to avoid this hazardous situation.

ADVICE
<p>ADVICE signifies a potentially hazardous situation which can result in damage to property.</p> <ul style="list-style-type: none">▶ Always follow the recommended measures to avoid this hazardous situation.

ATTENTION
Not relevant to safety, ATTENTION provides additional information to clarify or simplify a procedure.

Warning Symbols and Product Labels



General warning sign



Warning of electrical voltage



Warning of hot surfaces



Warning of hand injuries



Warning of the risk of crushing



Warning of obstacles on the ground



Please read all instructions carefully before using the product for the first time.



Direct Current symbol found on electronics requiring or producing DC power

3.2 General Safety Instructions

⚠ WARNING



Operation of the Camera System in Case of Obvious Damage

Risk of electric shock and fire hazard caused by short circuit.

- ▶ Do not use the system if electrical lines or housing are visibly damaged.
- ▶ Operate the system using only the type of power source indicated in the manual.
- ▶ Unplug the power cable by gripping the power plug, not the cable.
- ▶ Do not operate the system in areas with humidity above operating levels or expose it to water or moisture.
- ▶ Do not get the system wet.
- ▶ Do not lay cables over sharp edges (e.g. sheet metal, profile or other cut edges). Damaged cables can cause electric shock, short circuit or fire.
- ▶ Do not remove or deactivate any safety measures from the system (incl. warning stickers or paint marked screws).
- ▶ Repairs may only be carried out by authorized ARRI service partners.

⚠ WARNING



Falling System Parts

If the system is inadequately built up or assembled, it can fall down and cause serious injuries and damage to the system or property.

- ▶ Installation and operation may only be carried out by trained personnel who are familiar with the system. Observe accident prevention regulations.
- ▶ Do not place the camera system on an unstable trolley or hand truck, stand, tripod, bracket, table or any other unstable support device.
- ▶ Always place the camera on dedicated support devices.
- ▶ Secure the camera system and its accessories against falling and tipping over. Observe the general and local safety regulations.
- ▶ When using the camera system on camera cranes, a suitable safety rope must be used.

⚠ WARNING



Positioning the Camera System on an Inclined or Unsafe Plane

Risk of injury caused by the camera system tipping over.

- ▶ Observe the accident prevention regulations.
- ▶ Put the camera system on level and stable ground
- ▶ Do not place the system on an unstable trolley or hand truck, stand, tripod, bracket, table or any other unstable support device.
- ▶ Always place the camera on dedicated support devices.
- ▶ Use only accessories approved by ARRI. The use of accessories not approved by ARRI is at your own risk. Please observe all relevant safety guidelines

⚠ WARNING**Overloading the Camera System by Persons or Objects**

Risk of injury caused by the camera system tipping over.

- ▶ Do not lean on the camera system.
- ▶ Do not place any unauthorized objects on the camera system.
- ▶ Do not hang any unauthorized objects on the camera system.
- ▶ Use only accessories approved by ARRI. The use of accessories not approved by ARRI is at your own risk. Please observe all relevant safety guidelines

⚠ WARNING**Changing the Lens Mount while the Camera is Powered**

Risk of electric shock and permanent damage to the camera and lens mount.

- ▶ Always switch off the camera and disconnect all power supplies before changing the lens mount.

⚠ CAUTION**Using the Camera or Camera Accessories in a Humid Environment and with Condensation**

When moving the camera and the camera accessories from a cool to a warm location or when the camera is used in a damp environment, condensation may form inside the camera, on the sensor, and on internal or external electrical connections. Operating the camera while condensation is present bears risk of electric shock and/or fire caused by a short circuit.

- ▶ Never operate the camera and camera accessories when condensation occurs.
- ▶ After moving the camera and camera accessories from a cool to a warm environment, wait for some time for the system to warm up.
- ▶ To reduce the risk of condensation, find a warmer storage location.

⚠ CAUTION**Hot Surfaces on Camera Body and Camera Accessories**

During extended operation, high data rates and/or operation at high ambient temperatures, the camera's surface and the area around the fan outlet can get hot. Direct sunlight can result in camera housing temperatures above 60° C (140° F).

- ▶ Never cover, obstruct or block the fan in- or outlets while the camera is powered.
- ▶ Do not place the camera system near any heat sources during operation.
- ▶ At ambient temperatures above 25° C (77° F), protect the camera and camera accessories from direct sunlight.

⚠ CAUTION**Hot Surfaces on Recording Media**

During extended operation, high data rates and/or operation at high ambient temperatures, the recording media in the camera can get hot to the touch and can cause pain or even burns if held for too long directly after removal.

- ▶ Do not handle the recording media for longer than three seconds and remove it quickly but carefully.
- ▶ Consider to wear protective gloves when removing the recording media or allow it to cool down beforehand.
- ▶ Do not put any labels or adhesive tape on the recording media (especially the side facing the camera body). The recording media must have full contact to the thermal surface to ensure proper heat conduction.

⚠ CAUTION**Rotating Lens Motor**

Risk of crushing fingers and capturing and unraveling long hair, jewelry and/or clothing.

- ▶ Make sure that the lens motor is properly attached to the lens.
- ▶ Do not touch the lens motor gears while they are moving.
- ▶ Keep hair and loose clothing away from the motor gear teeth.
- ▶ Keep cables connected to the camera away from the motor gear teeth.

⚠ CAUTION**Connected Cable on the Floor**

Risk of injury caused by tripping, falling or slipping over connected cables.

- ▶ Always properly secure cables connected to the camera and camera accessories.
- ▶ Install cables in a way that they cannot be tripped over.
- ▶ If necessary, use a cable duct or secure the cables with adhesive tape.
- ▶ Disconnect the cables from the camera and camera accessories before moving.

⚠ CAUTION**Unhealthy Posture or Excessive Physical Exertion During Camera Operation**

Using the camera in shoulder mode, on portable stabilizer systems, etc., as well carrying for transport in general bears risk of permanent long term physical damage.

- ▶ Ensure an ergonomic posture when operating and carrying the camera.

ADVICE**High Energy Light Sources**

Permanent damage to the camera sensor and/or the viewfinder display.

- ▶ Do not point the camera sensor into direct sunlight, very bright light sources or high energy light sources (e.g. laser beams).
- ▶ Do not point the viewfinder eyepiece into direct sunlight, very bright light sources or high energy light sources (e.g. laser beams).

ADVICE

**Open Lens Mount**

When no lens or lens cap is attached to the camera, dirt and dust particles may enter the camera and settle on the sensor cover glass. Particles on the sensor cover glass can later be visible in the recordings made by the camera.

- ▶ Place the protective cap on the lens mount, when no lens is attached to the camera
- ▶ Contact ARRI Service to inspect the camera if undefined spots appear in the image.

ADVICE

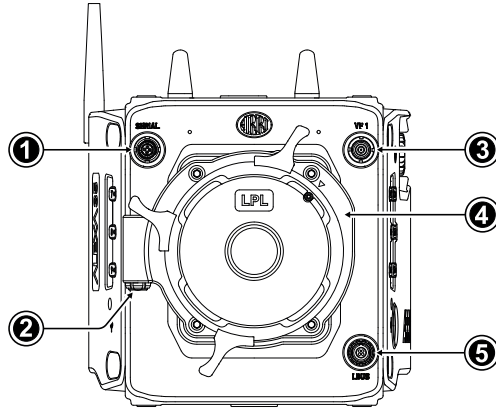
**Connection of Onboard Monitor**

Damage to the SDI driver chip caused by power surge.

- ▶ Always make sure to plug in the power cable first and then connect the BNC cable. As soon as the power and BNC cables are connected, you can switch the camera or the accessories on or off.
- ▶ Always make sure to disconnect the BNC cable first and then disconnect the power cable.
- ▶ Only use shielded power cables to power accessories that connect to the camera with a BNC cable. When only the plus pin connects on a shielded power cable, the shield will act as the power return and therefore not damage the SDI output.

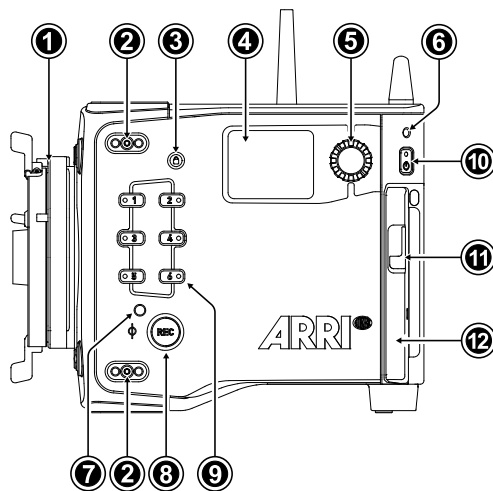
4 Camera Overview

4.1 Camera Layout



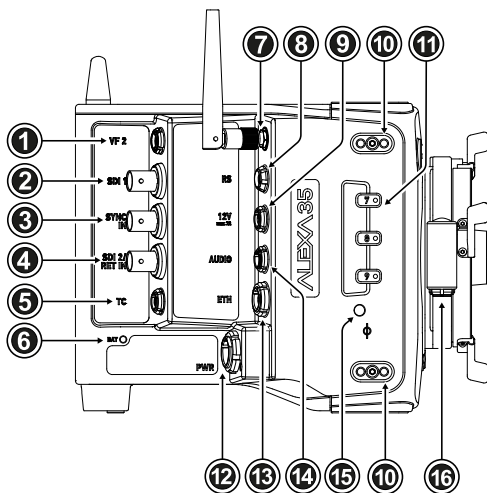
Camera Front

- 1 SERIAL Connector
- 2 LBUS Connector (on Lens Mount)
- 3 VF 1 Viewfinder Connector
- 4 Lens Mount (here: LPL Mount)
- 5 LBUS Connector



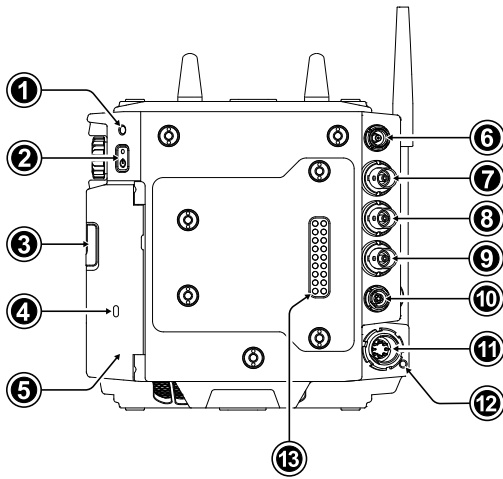
Camera Left

- 1 Lens Mount (here: LPL Mount)
- 2 Side Attachment Points
- 3 LOCK Button
- 4 Side Display
- 5 Side Display Jogwheel
- 6 Rear Camera Status LED
- 7 Left Camera Status LED
- 8 REC Button
- 9 User Buttons 1-6
- 10 POWER Button
- 11 Media Door Release
- 12 Media Door



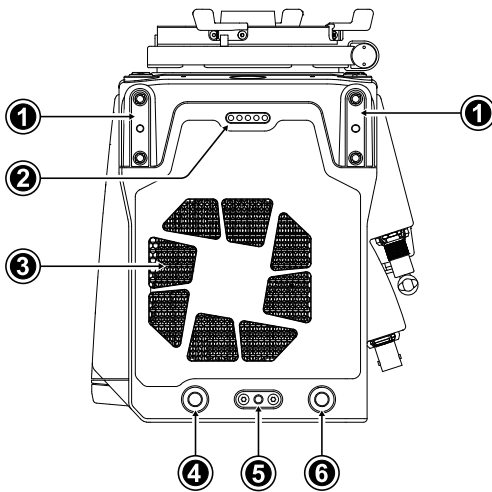
Camera Right

- 1 VF 2 Viewfinder Connector
- 2 SDI 1 Connector
- 3 SYNC IN Connector
- 4 SDI 2 / RET IN Connector
- 5 TC (Timecode) Connector
- 6 BAT LED
- 7 ECS White Radio Antenna Connector
- 8 RS Connector
- 9 12V Connector
- 10 Side Attachment Points
- 11 User Buttons 7-9
- 12 PWR Connector
- 13 ETH Connector
- 14 AUDIO Connector
- 15 Right Camera Status LED
- 16 LBUS Connector (on Lens Mount)



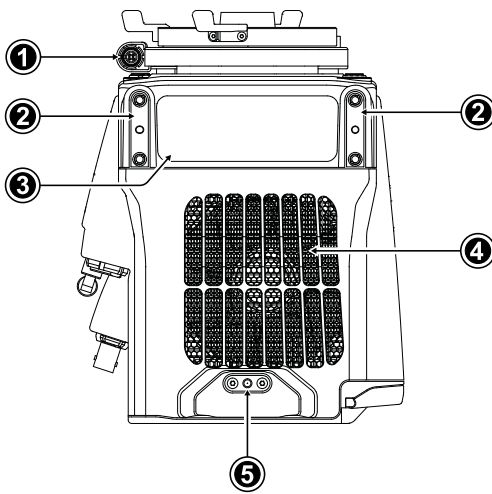
Camera Back

- 1 Rear Camera Status LED
- 2 *POWER* Button
- 3 Media Door Release
- 4 Media LED Window
- 5 Media Door
- 6 VF 2 Viewfinder Connector
- 7 SDI 1 Connector
- 8 SYNC IN Connector
- 9 SDI 2 / RET IN Connector
- 10 TC (Timecode) Connector
- 11 PWR Connector
- 12 PWR Status LED
- 13 Camera Rear Interface



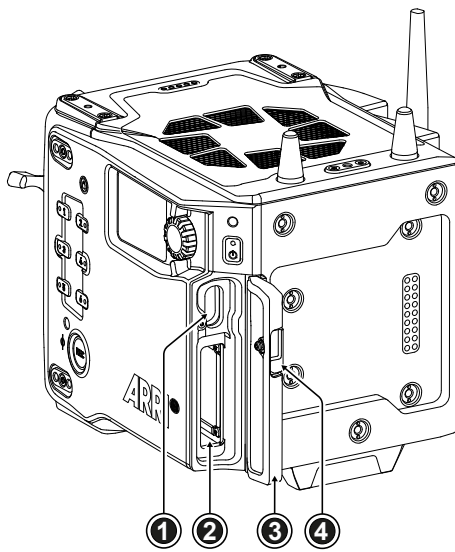
Camera Top

- 1 Top Attachment Points
- 2 Top Connector
- 3 Fan Outlet
- 4 WiFi Antenna Connector
- 5 Top Attachment Point
- 6 WiFi Antenna Connector



Camera Bottom

- 1 LBUS Connector (on Lens Mount)
- 2 Bottom Attachment Points
- 3 Conformity Label
- 4 Fan Intake
- 5 Bottom Attachment Point



Media Bay

- 1 USB-C Connector
- 2 Recording Media Slot
- 3 Media Door
- 4 Media Door Release

4.2 Multi Viewfinder MVF-2 Layout

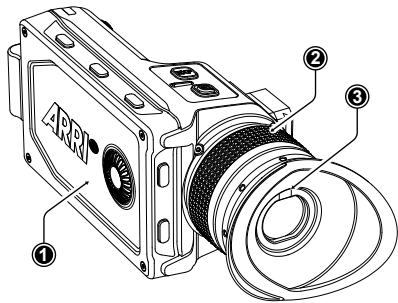
ADVICE



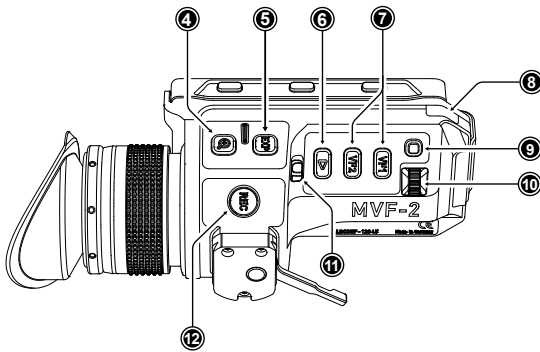
Permanent Activation of the Viewfinder OLED Display

Permanent activation can cause irreversible burn-ins on the viewfinder OLED display.

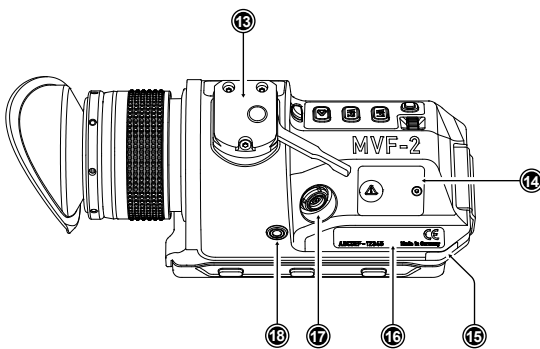
- ▶ Do not cover the viewfinder proximity sensor. When covered, the viewfinder OLED display will be switched on permanently.
- ▶ If you need to cover the viewfinder, disable the viewfinder OLED display first using the EVF Power setting.
- ▶ When shooting in hot environments, make sure to have the viewfinder mounted on the viewfinder bracket to ensure proper cooling.
- ▶ If the viewfinder is used as a remote control without standing support, turn off the viewfinder OLED display using the EVF Power setting.



- 1 Flip-out Monitor
- 2 Diopter Adjustment
- 3 Proximity Sensor



- 4 ZOOM Button
- 5 EXP Button
- 6 PLAY Button
- 7 VF 1&2 User Buttons
- 8 Top Tally Light
- 9 SET Button
- 10 User Wheel
- 11 LOCK Switch
- 12 REC Button



- 13 Dove Tail
- 14 Service Cover
- 15 Bottom Tally Light
- 16 Product Label
- 17 Viewfinder Connector
- 18 Headphones Out

5 Mounting and Assembly

5.1 Attachment of Accessories

⚠ WARNING

⚠ Falling Camera Accessories
If the system is inadequately built up or assembled, it can fall down and cause serious injuries and damage to the system or property.

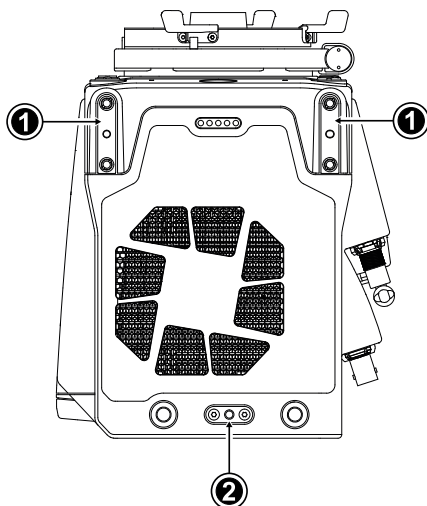
- ▶ Installation and operation may only be carried out by trained personnel who are familiar with the system. Observe accident prevention regulations.
- ▶ Do not place the system on an unstable trolley or hand truck, stand, tripod, bracket, table or any other unstable support device.
- ▶ Always place the camera on dedicated support devices.
- ▶ Secure the system and its accessories against falling and tipping over. Observe the general and local safety regulations.
- ▶ When using the system on camera cranes, a suitable safety rope must be used.
- ▶ Use only accessories approved by ARRI. The use of accessories not approved by ARRI is at your own risk. Please observe all relevant safety guidelines.

⚠ CAUTION

⚠ Improper Mounting of Lenses and Accessories
Mounting the camera on tripods or other support equipment and attachment of accessories like e.g. lenses, electronic and mechanical accessories poses a crushing hazard for fingers and/or hands.

- ▶ Before mounting ARRI accessories or recommended third-party accessories (such as lenses, mechanical accessories, electronic accessories), read the operating instructions provided by the manufacturer.
- ▶ Always use the tools specified by the manufacturer for mounting.

Top Attachment Points



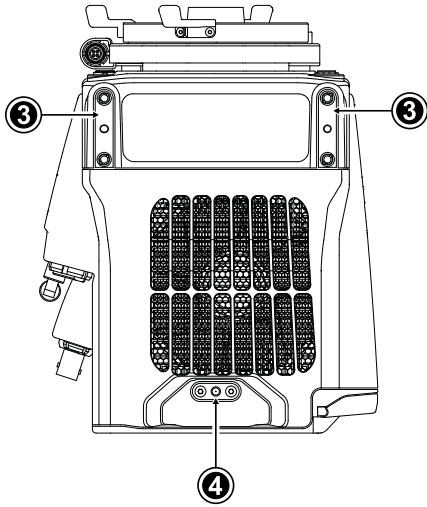
The camera is equipped with two main accessory attachment points (1) on the camera top to attach accessories like

- Low Mode Support LMS-4 (K2.0024062)
- Universal Adapter Plate UAP-3 (K2.0034179)
- Lightweight Camera Handle LCH-1 (K2.0024066)

The third attachment point (2) is used to secure the Top Extension Bracket TEB-1 (K2.0024062) when used in combination with LMS-4 or UAP-3.

Use a 3.0 mm Allen/hex key to attach the accessories. Tighten screws crosswise.

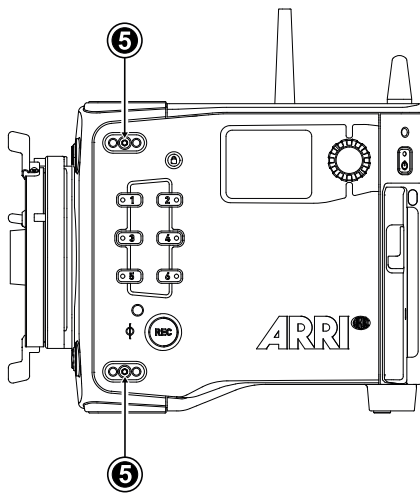
Bottom Attachment Points



The three attachment points on the camera bottom (3, 4) are used to attach the Balance Utility Dovetail BUD-1 (K2.0034180).

Use a 3.0 mm Allen/hex key to attach the Balance Utility Dovetail. Tighten screws crosswise.

Side Attachment Points



The camera is equipped with two accessory attachment points (5) each on the camera left and the camera right side to attach

- Camera Side Bracket CSB-1L (K2.0033573)
- Camera Side Bracket CSB-1R (K2.0033571)

Use a 3.0 mm Allen/hex key to attach the side brackets. Tighten screws crosswise.

5.2 Power Supply

ADVICE



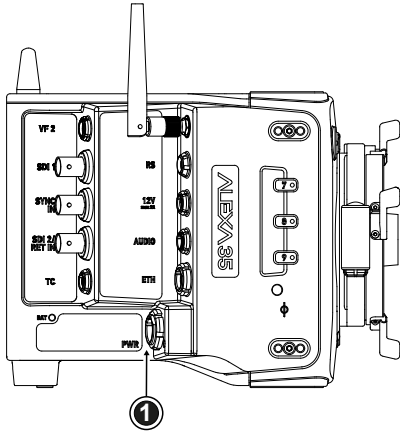
Improper handling of cables

Risk of damage to the camera system.

- ▶ Operate the system using only the type of power source indicated in this document.
- ▶ Always unplug the power cable by gripping the power plug, not the cable.
- ▶ Do not supply power outside the specified voltage range.
- ▶ Always keep the PWR connector accessible so that the cable can be unplugged quickly in case of emergency.
- ▶ Do not use power cables longer than 4m.
- ▶ Always properly secure cables connected to the camera to avoid pinching or tripping.

The camera accepts an input voltage range from 20.5 to 33.6 V DC and can be powered through the PWR connector or through the BAT interface on the camera rear using a battery adapter and a suitable onboard battery.

Power In (PWR) Connector



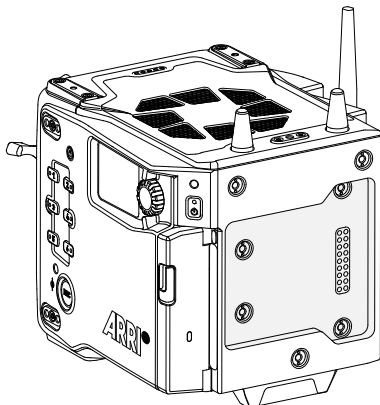
The PWR 8-pin LEMO connector (1) is located at the right side of the camera. Use KC50-S (K2.75007.0) or KC50-SP-S (K2.0001275) power cables to connect the camera to a power supply.

Onboard Battery (BAT) Interface

ADVICE	
	<p>Improper Handling of Batteries Risk of damage to the camera system.</p> <ul style="list-style-type: none"> ▶ Use only batteries with a capacity of 86 Wh or more to prevent damage to the battery and unpredictable camera behavior. Any camera-battery combination should be tested prior to use, especially when accessories are powered through the camera. ▶ Use only batteries providing a current of at least 12 A for a camera setup without any accessories. When using accessories like motors or monitors, choose batteries with higher current according to the power draw of the accessories. ▶ Battery adapters must be installed by trained personnel.

The camera can be equipped with different battery adapters, e.g.

- B-Mount Battery Adapter (K2.0023751)
to use B-Mount batteries in 7s or 8s configuration (respectively 25.2 V and 28.8 V nominally).
- Battery Adapter Back BAB-LF (K2.0034204)
to use any 24 V or 26 V power solution that can attach to the ALEXA LF back



The battery adapters attach to the recessed area at the back of the camera with four captive M4 screws. Use a 3.0 mm Allen/hex key to attach the battery adapters. Tighten screws crosswise. Switch off the camera before installation.

Power Management

When using the PWR connector and an onboard battery adapter simultaneously, the camera's power management system ensures that the power source with the highest voltage level is used. When the voltage level of one power source drops below the level of the other, or a power source is disconnected from the camera, the power management system automatically switches to the other power source, avoiding shutdown of the camera.

The camera supports to prioritize which power source (PWR or BAT) should be used primarily and which one should serve as backup. Available choices are "Highest Voltage" (default), "PWR (power in)", or "BAT (on-board battery)".

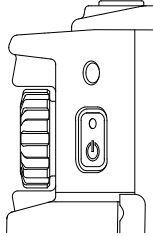
5.3 Viewfinder Connection

The camera is equipped with two custom CoaXPress viewfinder connectors, one located at the camera front (labelled VF 1) and one on the camera rear (right side, labelled VF 2).

The Multi Viewfinder MVF-2 is connected to the camera using a custom CoaXPress cable. The cable center pin and shield transport power, video, audio and data and the CoaXPress interface allows for hot plugging the viewfinder. Since the VF connectors have no key, the viewfinder cable can be connected in any orientation.

6 Basic Operation

6.1 Switching On and Off



The *POWER* button is located at the rear of the camera. The button's background light is illuminated when the supplied power is in the valid range.

Switching On the Camera

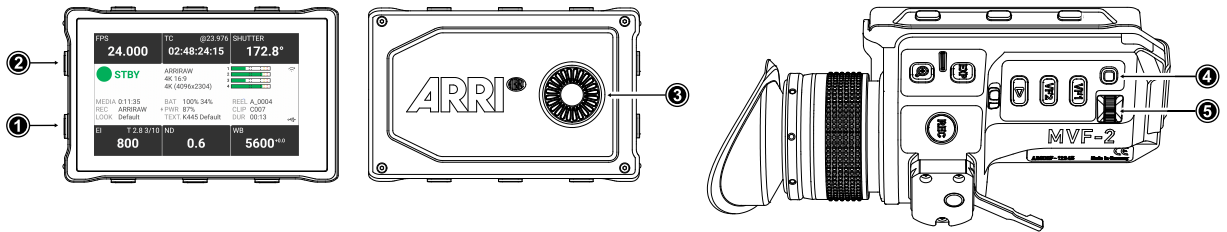
- ▶ Press the *POWER* button.

The camera starts booting. During the boot process, the ARRI logo is shown in the flip-out monitor of the MVF-2 (if connected) and the side display. While the camera is booting up, the *POWER* button's boot status LED is flashing blue. As soon as the camera has finished the boot process, the boot status LED turns to solid blue.

Switching Off the Camera

- ▶ Press and hold the *POWER* button until the camera has switched off.

6.2 Menu Operation



- ▶ Press the *MENU / BACK* button (1) on the MVF-2 to access the camera menu.
- ▶ Rotate the *JOGWHEEL* (3) or the *USER WHEEL* (5) to scroll up or down to select the desired menu entry:

Entries with a “>” at the end navigate to a submenu. To navigate to a submenu press the *JOGWHEEL* center or the *SET* button (4). To return to a higher menu level press the *MENU / BACK* button.

Entries with a value allow for direct editing. To edit a value press the *JOGWHEEL* center or *SET* button, then rotate the *JOGWHEEL* or *USER WHEEL* to select the desired value. Press the *JOGWHEEL* center or *SET* button to confirm the change or press *CANCEL* to discard.

Entries with a check box allow for direct activation/deactivation. Press the *JOGWHEEL* center or *SET* button to activate/deactivate the setting.


- ▶ To leave the menu press the *HOME / LIVE* button (2).

The *JOGWHEEL* and the *USER WHEEL* + *SET* button provide identical functionality.

7 Cleaning and Repair

7.1 Cleaning Instructions

ADVICE



Improper Cleaning Procedure
Risk of damage of surfaces.

- ▶ Only use the cleaning agents specified in this chapter.
- ▶ Do not use any strong or aggressive cleaning detergents like Methanol, Acetone, Benzine or acids. These chemicals may dissolve the paint on the camera body, damage highly polished surfaces and damage the optical coating of lenses.
- ▶ Do not moisten connectors when cleaning the camera.
- ▶ During cleaning of the camera, always make sure that the protective cap is on the lens mount.
- ▶ Avoid touching optical surfaces.
- ▶ Avoid wiping dry optical surfaces with a dry cloth, especially if the surfaces are not clean.
- ▶ Avoid wiping optical surfaces without air blow dusting first. If particles or optical surfaces are electrostatically charged, it may improve dusting efficiency to use deionized air.
- ▶ Compressed air should not be used on the camera body and electronic accessories.

ATTENTION

Refer to the lens manufacturer's instructions for cleaning lenses.

Recommended Cleaning Agents

- Water
- Glass Cleaner
- Isopropyl Alcohol

Cleaning Information Camera Body

Area	Cleaning Procedure
Camera body	Clean the camera body, mechanical and electronic accessories with a soft, lint free cleaning cloth and some water or glass cleaner. Only when really necessary, e.g. to remove residues of camera tape, isopropyl alcohol should be used.
Narrow spaces and gaps	Use a manual air blower, cotton swabs or a soft brush to remove dust particles from narrow spaces and gaps.
Ventilation channel	Clean the ventilation channel using a vacuum cleaner at low level.

Cleaning Information Sensor Cover Glass

If the sensor cover glass has been contaminated by particles or smear, special optical cleaning kits should be used for dirt removal under very high care. If the contamination cannot be removed, the camera should be taken to an ARRI Service center for cleaning.

7.2 Repair

WARNING



Repairs carried out by Untrained Personnel

Risk of electric shock and fire caused by short circuit.

- ▶ Do not try to repair the device yourself. Repairs may only be carried out by authorized ARRI service partners.

For repairs and maintenance work on the camera system, please contact ["ARRI Service"](#).

8 Transportation & Storage

ADVICE



Improper Packing and Transportation of the Camera

Risk of damage to the camera system.

- ▶ Follow the specified environmental conditions.
- ▶ Only transport the camera and accessories in suitable cases.
- ▶ Follow the instructions for transport and storage in this chapter.

The camera and its accessories can be damaged if not transported and stored properly. Please take note of the following guidelines.

Transportation Guidelines:

- Remove the lens from the camera.
- Always attach the protective cap to the lens mount when no lens is installed on the camera.
- Always transport the camera in a suitable case.
- Do not subject the system to severe shocks.

Storage Guidelines:

- Remove the recording medium.
- Disconnect all cables and power sources from the camera.
- Always store the camera in a suitable case.
- Do not store the camera outside of the specified ambient temperature range.
- Do not store the camera in places where it may be subject to extreme temperatures, direct sunlight, high humidity, severe vibration, dust or strong magnetic fields.

9 Disposal

ATTENTION

The product can be returned to the manufacturer.

When disposing of accessories, please observe the relevant manufacturer's instructions.



This product falls within the scope of Directive 2012/19/EU OF THE EUROPEAN PARLIAMENT AND OF THE COUNCIL of June 4, 2012 on waste electrical and electronic equipment (WEEE II).

Accordingly, this product must not be disposed of with household waste. There are the respective country-specific disposal rules that must be observed.

10 ARRI Service Contacts

Please see the current list of service partners at [Service contacts](#)



Arnold & Richter Cine Technik GmbH & Co. Betriebs KG
Herbert-Bayer-Str. 10
80807 Munich
Germany
+49 89 3809 2121
Business hours:
Mo. - Fr. 09:00 am - 05:00 pm (CET)
service@arri.de

ARRI Inc. / West Coast
3700 Vanowen Street
CA 91505 Burbank
USA
+1 818 841 7070
Business hours:
Mo. - Fr. 09:00 am - 05:00 pm (PT)
service@arri.com

ARRI Canada Limited
1200 Aerowood Drive, Unit 29
ON L4W 2S7 Mississauga
Canada
+1 416 255 3335
Business hours:
Mo. - Fr. 08:30 am - 05:00 pm (EDT)
service@arri.com

ARRI Asia Pte. Ltd.
164 Kallang Way, #03-01
349248 Singapore
Singapore
+65 6230 9488
Business hours:
Mo. - Fr. 9:00 am - 06:00 pm (CST)
service@arri.asia

ARRI CT Limited / London
2 Highbridge, Oxford Road
UB8 1LX Uxbridge
United Kingdom
+44 1895 457 000
Business hours:
Mo. - Thu. 09:00 am - 05:30 pm (GMT)
Fr. 09:00 am - 05:30 pm (GMT)
service@arri-ct.com

ARRI Inc. / East Coast
617 Route 303
NY 10913 Blauvelt
USA
+1 845 353 1400
Business hours:
Mo. - Fr. 08:00 am - 05:30 pm (EST)
service@arri.com

ARRI Australia Pty Ltd
Suite 2, 12B Julius Ave
NSW 2113 North Ryde
Australia
+61 2 9855 4305
Business hours:
Mo. - Fr. 08:00 am - 05:00 pm (AEST)
service@arri.com.au

ARRI China (Beijing) Co. Ltd.
Chaowai SOHO Tower C, 6/F, 0628/0656
Chaowai Dajie Yi 6
Beijing
China
+86 10 5900 9680
Business hours:
Mo. - Fr. 09:00 am - 06:00 pm (CST)
service@arri.cn

ARRI Hong Kong Limited

41/F One Kowloon, 1 Wang
Yuen Street Kowloon Bay
Hong Kong
China
+852 2537 4266
Business hours:
Mo. - Fr. 09:00 am - 06:00 pm (CST)
service@arri.asia

ARRI Japan Kabushiki Kaisha

Service
Haneda Innovation City Zone K210, 1-1-4
Hanedakuko, Ota-Ku
144-0011 Tokyo
Japan
+81 3 6635 3750
Business hours:
Mo. - Fr. 10:00 am - 06:00 pm (JST)
info@arri.jp

CINEOM Broadcast DMCC.

Unit No. 2109, Jumeirah Bay Tower X2 Cluster X
Jumeirah Lakes Towers
P.O Box 414659
Dubai, UAE
+971 (0) 45570477
Business hours:
Sa. - Th. 10:00 am- 06:00 pm
arriservice.me@cineom.com

LINKA İthalat İhracat ve Dış Tic.

Distributor
Halide Edip Adivar Mah. Darülaceze Cad.
No:3 Akın Plaza Kat:5 95-96
34381 Şişli, İstanbul
Turkey
+90 2123584520
Business hours:
Mo. - Fr. 09:00 am - 06:00 pm (EET)
service@linkgroup.com.tr

ARRI Korea Limited

Kolon Digital Tower 1(#1505-06), 25
Seongsuil-ro 4 gil, Seongdong-gu
04781 Seoul
Korea
+82 (0)70 4419 6401
Business hours:
Mo. - Fr. 9:00 am - 06:00 pm (KST)
service@arri.kr

ARRI Brasil Ltda

Avenida Ibirapuera 2907 – Cj. 421, Indianópolis
04029-200 São Paulo
Brazil
+55 1150419450
Business hours:
Mo. - Fr. 09:00 am - 05:30 pm (BRT)
arribrasil@arri.com

CINEOM Broadcast India Pvt. Ltd.

C-4, Goldline Business Centre
Link Rd. Malad West
400 064 Mumbai
India
+91 (0)22 42 10 9000
Business hours:
Mo. - Sat. 10:00 am - 06:00 pm (IST)
arrisupportindia@cineom.com